

MONEY20 MOTION25



27-28 MARCH 2025

The only FinTech
conference you
should attend

ZAGREB FAIR

LARGEST CEE FINTECH CONFERENCE



The only FinTech conference you should attend



→ AFTER 2 SUCCESSFUL YEARS, WE CAN PROUDLY SAY WE ARE THE LARGEST CEE FINTECH CONFERENCE WITH OVER 700 COMPANIES AND MORE THAN 3500 PROFESSIONALS IN OUR COMMUNITY.

We bring together professionals from every corner of the fintech world – from conventional banks to crypto pioneers, insurtech innovators and prospering retailers, financial ministers and governors, payment professionals and dynamic startups.

By creating a neutral ground for these diverse entities to interact, MoMo catalyses groundbreaking ideas and transformative collaborations, driving the future of finance. By creating a neutral ground for these diverse entities to interact, MoMo catalyzes groundbreaking ideas and transformative collaborations, driving the future of finance.

→ WE PROUDLY REPRESENT THE
COMMUNITY WE THRIVE TO GROW.

We are diverse professionals from the fintech
industry with a combined experience of operating
large regional corporations and launching and
growing startups in the fintech and crypto industry.



NIKOLA ŠKORIĆ
CEO & FOUNDER
@ ELECTROCOIN



LUKA SUČIĆ
FOUNDER @ META
CHANGE CAPITAL



IGOR GRŽALJA
COUNTRY MANAGER
@ ASEE



ROBERT PENEZIĆ
BOARD MEMBER @
MONRI PAYMENTS



DAMIR ČAUŠEVIĆ
PRESIDENT OF THE
BOARD @ MONRI
PAYMENTS



DIVE INTO
THE MOMO
EXPERIENCE





WHAT WE CREATED SO FAR

3

DYNAMIC
STAGES

A main, fintech 2023 and startup stage filled with interesting speakers and panels

3500

ATTENDEES

C, V and D level professionals from more than 25 countries ready to connect & discuss business

26

STARTUPS &
NUMEROUS PRIZES

More than 15 VC's attended our startup competition which offered an exclusive insight into the brilliant minds and ideals of our region

600_{M²}

OF EXPO
AREA

40+ companies showcased their work and had the ability to pitch towards potential new clients and partners

→ MOMO HAS PROVIDED A COMPREHENSIVE CEE PERSPECTIVE ON FINTECH, HIGHLIGHTED BY THE INSIGHTS OF THE MOST INFLUENTIAL FIGURES OF THE INDUSTRY. HERE ARE JUST SOME OF THE SPEAKERS YOU COULD LEARN FROM AND MEET AT MOMO

[Check out of full list of 2023 and 2024 speakers](#)



ANDRIUS BIČEIKA,
PARTNER AT
REVOLUT



**DRAŽENKO
KOPLJAR,** BOARD
MEMBER AT PBZ
GROUP



BORIS VUJČIĆ,
GOVERNOR
AT CROATIAN
NATIONAL BANK



**MARTIN
PITCOCK,** CHIEF
MARKETING
OFFICER,
ECOMMERCE AT
NEXI



PÉTER CSÁNYI,
DEPUTY CEO &
CHIEF DIGITAL
OFFICER AT OTP
GROUP



**CHRISTIAN
RAU,** SENIOR
VICE PRESIDENT
CRYPTO &
FINTECH EUROPE
AT MASTERCARD

TAKING OVER THE
MEDIA 2 YEARS IN
A ROW



→ FROM BIG COMPANY
ANNOUNCEMENTS, PARTNERSHIP
DECLARATIONS, EXCLUSIVE
INTERVIEWS AND PRIMETIME
SCREENTIME, MOMO IS A PLACE
WHERE YOUR BRAND WILL SURELY BE
SEEN AND HEARD

More than 1000 press stories

- 60+ journalists at our events
- billboards and digital citylights in all major Croatian cities
- hundreds of media interviews - including TV, radio, print and digital
- 2 multipage specials created just for Money Motion in the most read business media in Croatia
- Over 5000 social media posts about Money Motion with LinkedIn being our strongest network, followed by Twitter and Facebook
- More than 40 influencers sharing our story and building the social community

WE PARTNERED UP
WITH THE BEST OF
THE BEST





**MONEY20
MOTION25**

2500 V & D LEVEL PROFESSIONALS FROM CEE EXPECTED

→ GET READY TO JOIN THE EPICENTER OF THE CEE
FINTECH COMMUNITY AT MONEY MOTION 2025

The 2025 edition will be an unforgettable experience filled with intriguing speakers while expecting more ministry and governing bodies and welcoming retailers into the picture. We will also be elevating our networking to the next level with executive workshops and our new networking app that can help you connect with our speakers and attendees.

MORE THAN 2000M² OF EXPO AREA

Step into a vibrant hub of innovation where over 50 companies showcase their work. The expo floor buzzes with energy, fostering unexpected encounters and dynamic collaborations where exhibitors have the unique opportunity to present their products or services.



WHY COME TO ZAGREB?

WANT TO TALK TO SOMEONE - WE WILL BRING **THEM** TO YOU.

Money Motion offers unparalleled networking and business opportunities in Croatia and West Balkans region, and companies coming to Zagreb will be able to:

Want to explore Croatian or West Balkans markets? Come to MoMo and meet all of the relevant players.

BANKS

Connect with major financial institutions lending in the region

REGULATORS & GOVERNING BODIES

Meet with key regulators and governing bodies driving policies in CEE

RETAILERS & E-COMMERCE

Discuss potential partnerships with retailers and expand your business in the region

STARTUPS & VCS

Network with emerging CEE startups and venture capitals looking for the next big opportunity in CEE

WEB3 INNOVATORS

Explore disruptive tech leaders that can offer you insight on what the region has to offer and how you can collaborate

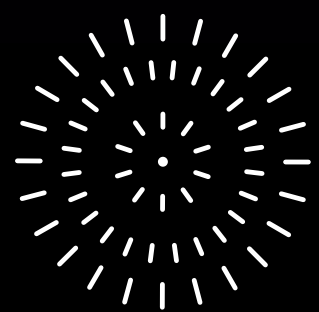
We're open to working closely with foreign companies exploring Croatia and West Balkans markets, facilitating connections with key stakeholders, decision-makers, and influencers but also **hearing about specific CEE professionals and companies you're interested in meeting** and bringing them to MoMo for you.

FOR SOLO COMPANIES

→ BE A SPONSOR

→ TAKE AN EXPO BOOTH

Take a look at our **full sponsorship deck**.



FOR A GROUP OF COMPANIES FROM THE SAME COUNTRY

For several companies from the same country, fintech associations, embassies or chambers of commerce:

Create your country pavilion with us!

BY CREATING YOUR COUNTRY PAVILLION,
YOU CAN SHOWCASE THE BEST OF WHAT
YOUR LOCAL FINTECH COMMUNITY HAS
TO OFFER, GET DISCOUNTS ON YOUR EXPO
BOOTHS AND HAVE ADDITIONAL MEDIA
VISIBILITY

COUNTRY PAVILIONS

HIGHLIGHTING
NATIONAL FINTECH
EXCELLENCE

Want to showcase your company, but not sure if your country has a MoMo country pavilion? Contact us at hello@money-motion.eu and let's see what we can do for you!

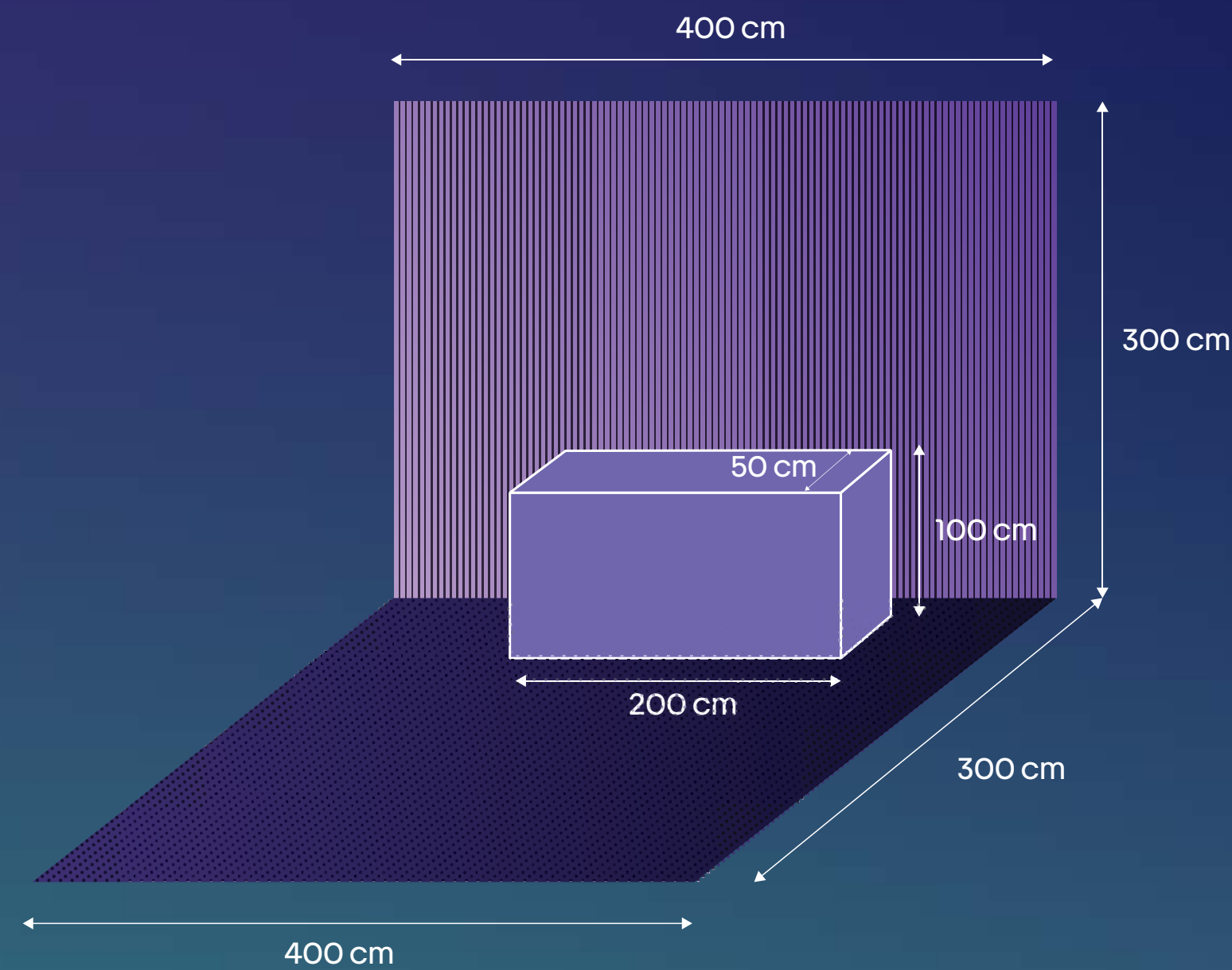
Money Motion offers Country Pavilions as an exclusive opportunity for Country Fintech Associations, Embassies or Chambers of Commerce to showcase their national fintech ecosystems. This is a chance to exhibit your achievements and also have a branded representation of your best companies. Here you can:

- Highlight the innovations and opportunities within your country's fintech landscape.
- Facilitate networking and partnerships with key CEE and global stakeholders.
- Bring together startups, investors, and regulators under one roof, spotlighting your national strengths.

By creating your Country Pavilion, all country partnering companies will have special discounts on booth prices as follows

BOOTH OFFERS

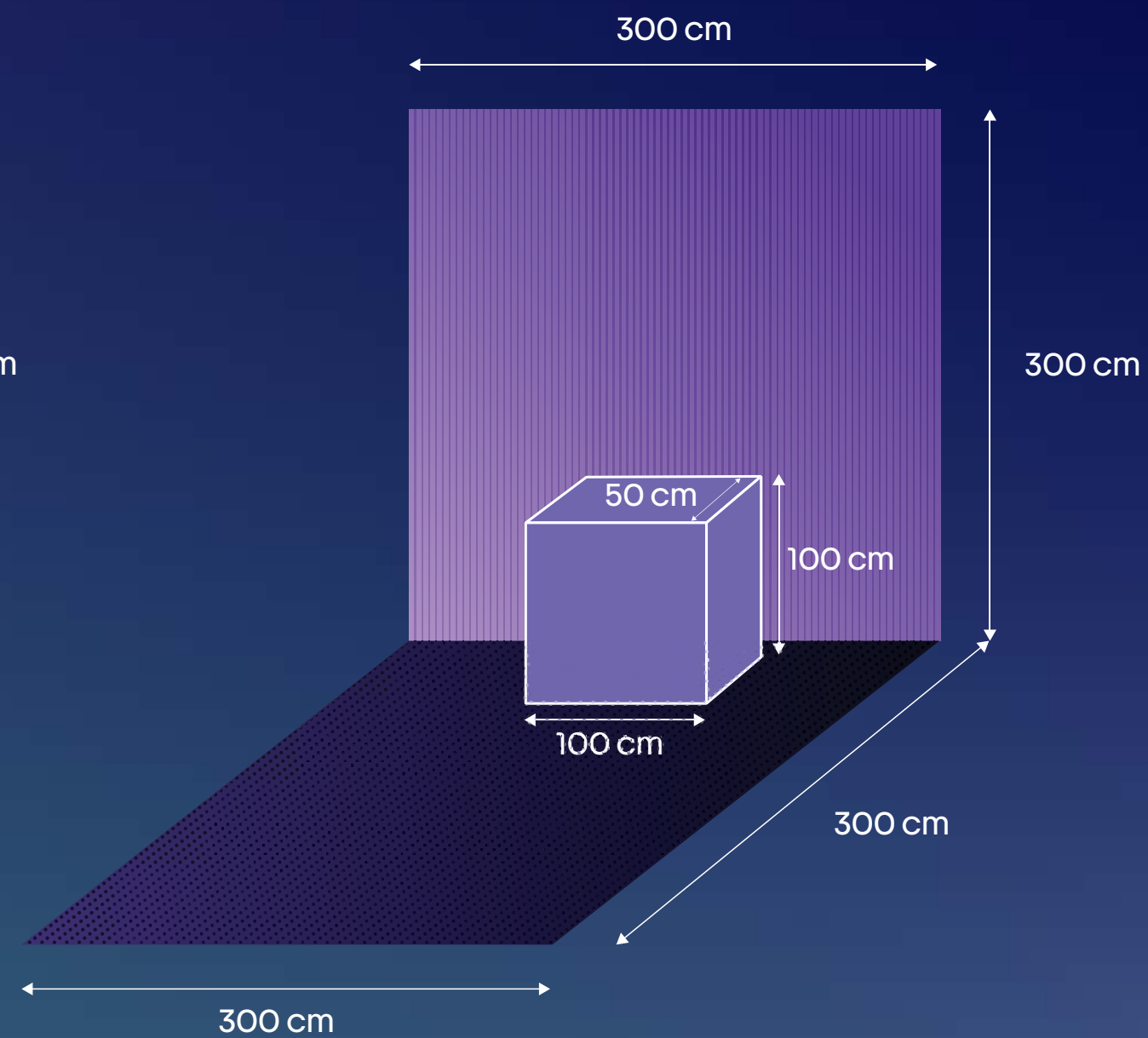
Original single price



LARGE BOOTH

Panel print dimensions 400 x 300 cm
Table print dimensions 200 x 100 cm
Expo Area 12m²
Includes - 2 chairs, electrical socket,
4 expo accreditations

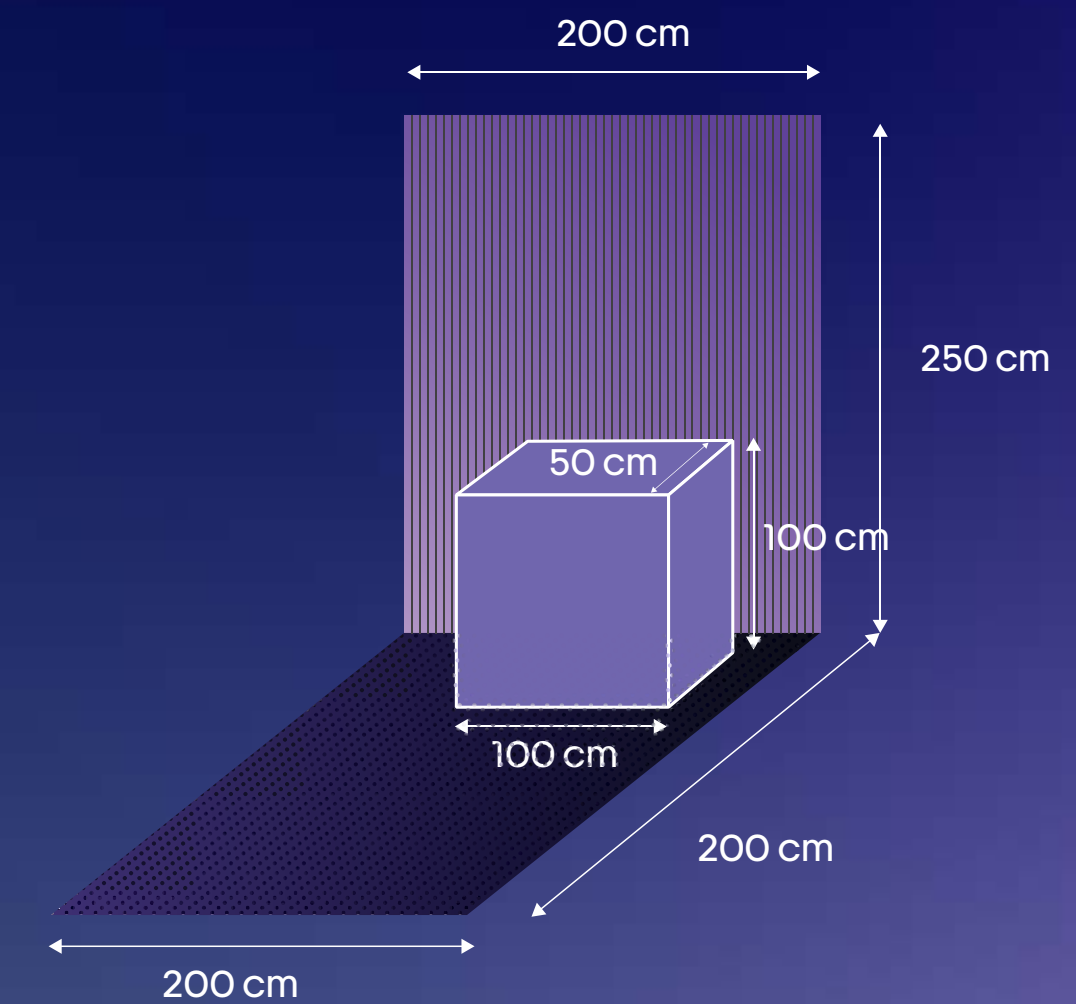
PRICE €15.000 + VAT



MEDIUM BOOTH

Panel print dimensions 300 x 300 cm
Table print dimensions 100 x 100 cm
Expo Area 9m²
Includes - 2 chairs, electrical socket,
3 expo accreditations

PRICE €10.000 + VAT



SMALL BOOTH

Panel print dimensions 200 x 200 cm
Table print dimensions 100 x 100 cm
Expo Area 4m²
Includes - 2 chairs, electrical socket,
2 expo accreditations

PRICE €5.000 + VAT

*exact sizes might slightly differ

PAVILION BOOTH DISCOUNTS

Several companies from the same country can join forces and get a free medium booth for their country's fintech ecosystem.

MEDIUM BOOTH FOR THE COUNTRY

PRICE ~~€10.000 + VAT~~
€0.00 + VAT

-100%

LARGE BOOTH

PRICE ~~€15.000 + VAT~~
€12.000 + VAT

-20%

MEDIUM BOOTH

PRICE ~~€10.000 + VAT~~
€8.000 + VAT

-20%

SMALL BOOTH

PRICE ~~€5.000 + VAT~~
€4.000 + VAT

-20%

Join forces with other companies from your country and get discounts on expo booths. Talk to your fintech association about setting up a Money Motion country pavilion or talk to us directly about other opportunities.

CONTACT US

We'd love to hear from you so feel free to reach out:

hello@money-motion.eu
www.money-motion.eu



MONEY20
MOTION25